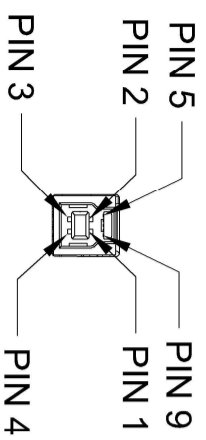


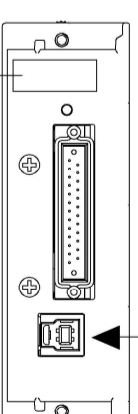
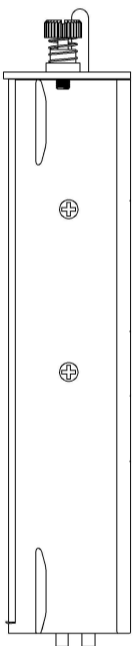
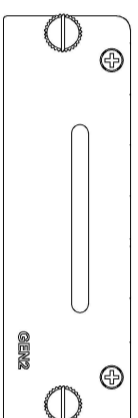
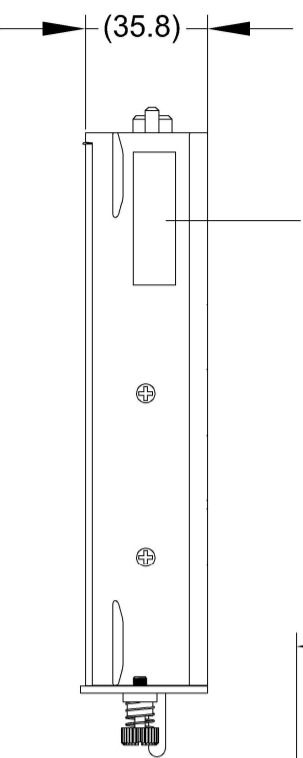
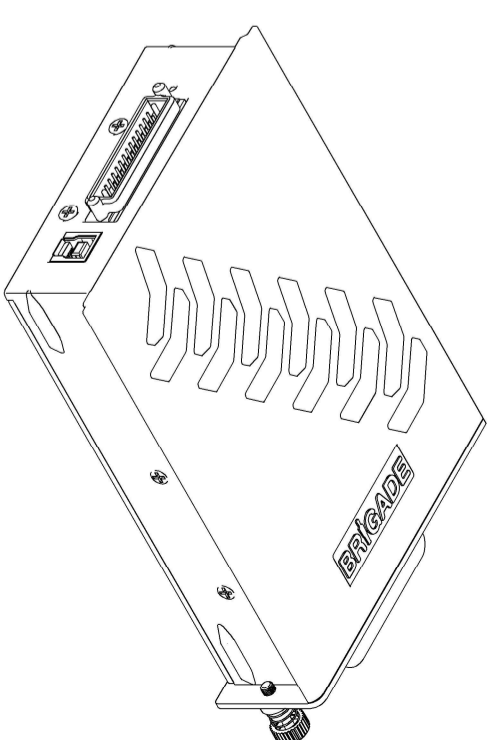
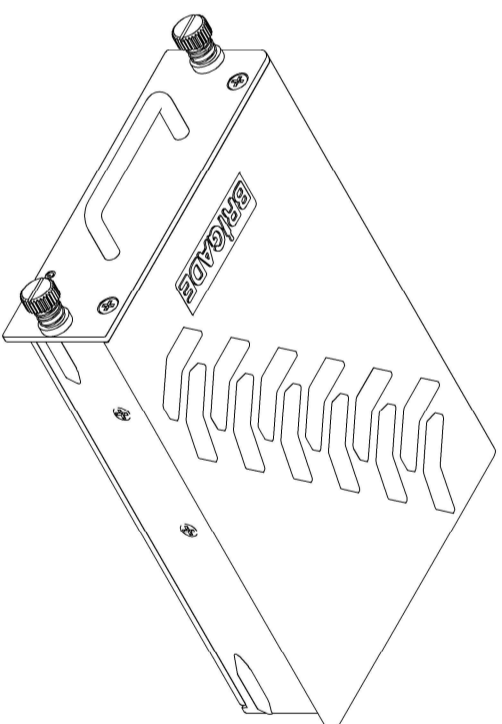
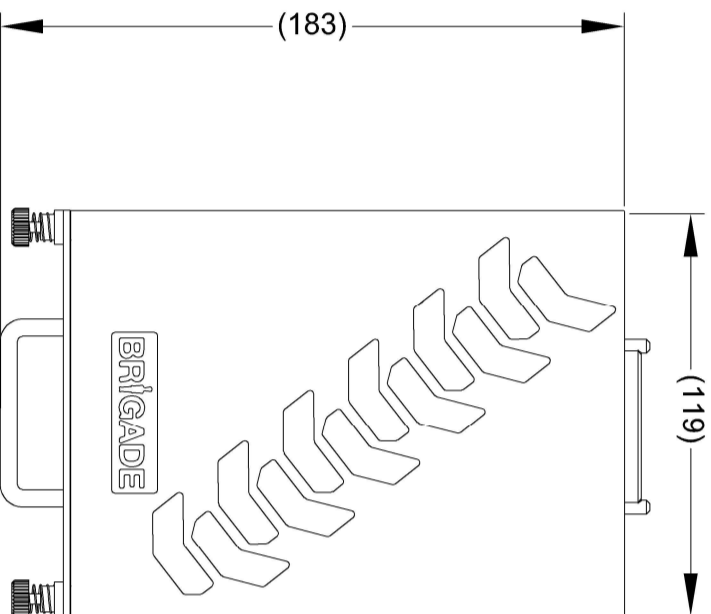
VIEW A



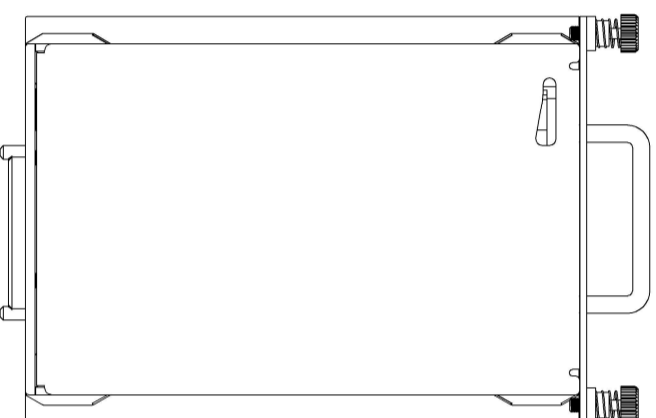
9-PIN FEMALE USB-B MATING FACE

PIN #	DESCRIPTION
1	+5V
2	USB DATA-
3	USB DATA+
4	GND
5	SS TX-
6	SS TX+
7	DRAIN GND
8	SS RX-
9	SS RX+

PRODUCT NUMBER LABEL LOCATION



SERIAL NUMBER LABEL LOCATION



NOTES:

1. NOT BACKWARDS COMPATIBLE WITH MDR-40XXX-XXXX.
2. FOR ALL LABELS AND PACKAGING REFER TO MASTER BOM.
3. HDD STORAGE NOT INCLUDED INSIDE MOBILE CADDY UNIT.
4. ANY CUSTOMER MODIFICATION OF THIS PRODUCT CAUSING SUBSEQUENT FAILURE IS NOT A LIABILITY OF BRIGADE ELECTRONICS GROUP PLC.

PROPRIETARY NOTICE

THIS DESIGN AND TECHNICAL INFORMATION APPEARING ON THIS DRAWING IS THE PROPERTY OF BRIGADE ELECTRONICS, AND IS DISCLOSED IN CONFIDENCE. IT IS NOT TO BE COPIED, REPRODUCED, REVEALED TO OR EXPROPRIATED BY OTHERS, EITHER IN WHOLE OR IN PART WITHOUT THE EXPRESS WRITTEN CONSENT OF BRIGADE ELECTRONICS.

Revision Notes

R1 -	Drawn:-	Checked:-	Approved:-	Date:-
APA:-				

Assembly Pl Approval P. BU	Approved by R. PENTLEY	Checked by J. STEWART	Drawn by F. ADEMUMI
-------------------------------	---------------------------	--------------------------	------------------------

Angle of Projection Third Angle	Units mm	Scale N/A	Released 12/10/20	Assembly Ref -
------------------------------------	-------------	--------------	----------------------	-------------------

Status RELEASED	MDR-500-CAD-G2
--------------------	----------------

BRIGADE
www.brigade-electronics.com



Part No 6256	BE-004444-00-20
-----------------	-----------------